

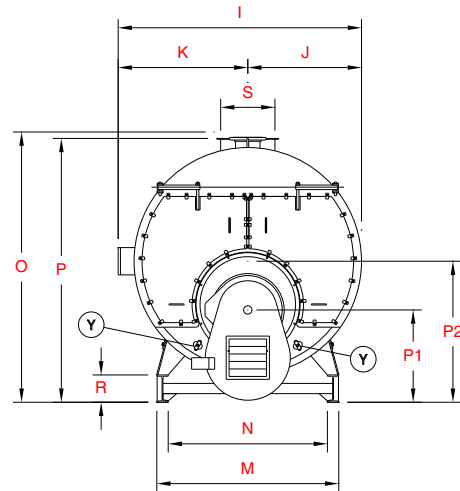
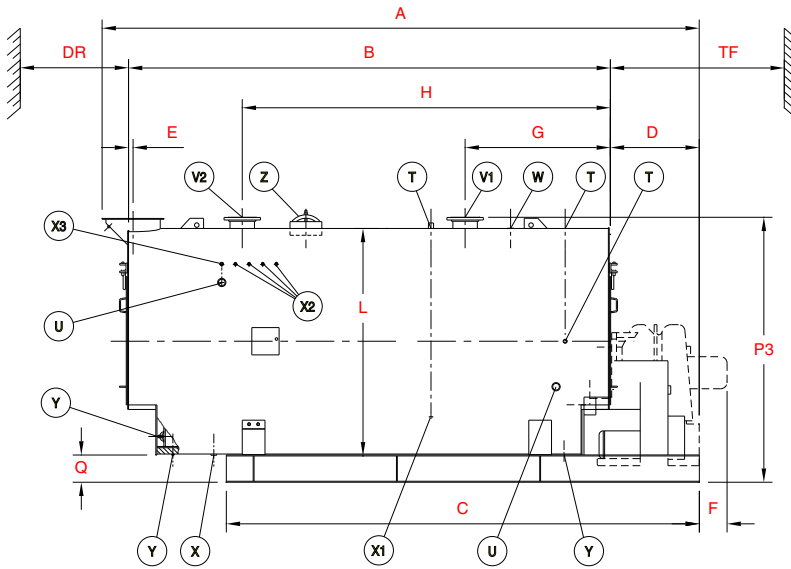
SUPER SEMINOLE

**DIMENSIONAL DATA
WATER BOILERS
30 AND 160 PSIG**

3 PASS WET BACK

70 THRU 1000 BoHP

5 SQ. FT. / BoHP



FORM CATX6SSWF
ISSUED: 3-31-03

| NOMINAL BOILER HORSEPOWER | 70 | 80 | 100 | 125 | 150 | 200 | 250 | 300 | 350 | 400 | 500 | 600 | 700 | 750 | 800 | 900 | 1000 | |
|-----------------------------|-----|--------|---------|---------|---------|---------|---------|---------|---------|---------|---------|---------|---------|---------|---------|---------|---------|---------|
| UNIT MODEL NUMBER | 350 | 400 | 500 | 625 | 750 | 1000 | 1250 | 1500 | 1750 | 2000 | 2500 | 3000 | 3500 | 3750 | 4000 | 4500 | 5000 | |
| LENGTHS: Overall | A | 158 | 171 | 197 | 183 | 205 | 210 | 241 | 270 | 278 | 263 | 305 | 301 | 297 | 305 | 319 | 324 | 343 |
| Shell | B | 124 | 137 | 163 | 148 | 170 | 160 | 191 | 220 | 226 | 211 | 253 | 248 1/2 | 244 | 252 | 266 | 262 | 281 |
| Base | C | 115 | 128 | 154 | 136 1/2 | 158 1/2 | 160 | 191 | 220 | 224 | 208 | 250 | 247 1/2 | 236 | 244 | 258 | 263 | 282 |
| Front Plate To | | | | | | | | | | | | | | | | | | |
| Front Skid Extension | D | 26 | 26 | 26 | 26 | 26 | 40 | 40 | 40 | 40 | 40 | 40 | 40 | 40 | 40 | 40 | 49 | 49 |
| Rear Plate To | | | | | | | | | | | | | | | | | | |
| Center Line Of Stack | E | 2 | 2 | 2 | 2 | 2 | 2 | 2 | 2 | 2 | 2 | 2 | 2 | 2 | 2 | 2 | 2 | 2 |
| Front Of Base To | | | | | | | | | | | | | | | | | | |
| End Of Burner | F | | | | | | | | | | | | | | | | | |
| (GP) | | - | - | - | 9 | 9 | 5 | 5 | - | - | - | - | - | - | - | - | 13 | 12 |
| (IC) | | 12 | 15 | 15 | 15 | 15 | 11 | 11 | 12 | 12 | 15 | 20 | 23 | 23 | - | - | - | - |
| Front Plate To | | | | | | | | | | | | | | | | | | |
| Return Nozzle | G | 43 | 43 | 43 | 47 | 47 | 52 | 52 | 52 | 63 | 63 | 74 | 64 | 64 | 64 | 64 | 64 | 64 |
| Supply Nozzle | H | 91 | 104 | 130 | 118 | 140 | 127 | 155 | 184 | 187 | 161 | 203 | 198 | 202 | 210 | 222 | 206 | 225 |
| WIDTHS: Overall | I | 73 | 73 | 73 | 80 | 80 | 90 | 90 | 90 | 96 | 107 | 107 | 113 | 124 | 124 | 124 | 130 | 130 |
| Centerline To | | | | | | | | | | | | | | | | | | |
| Lagging | J | 33 | 33 | 33 | 36 1/2 | 36 1/2 | 41 1/2 | 41 1/2 | 41 1/2 | 44 1/2 | 50 | 50 | 53 | 57 | 57 | 57 | 61 | 61 |
| Water Column/Panel | K | 40 | 40 | 40 | 43 1/2 | 43 1/2 | 48 1/2 | 48 1/2 | 48 1/2 | 51 1/2 | 57 | 57 | 60 | 67 | 67 | 67 | 69 | 69 |
| Over Jacket | L | 66 | 66 | 66 | 73 | 73 | 83 | 83 | 83 | 89 | 100 | 100 | 106 | 114 | 114 | 114 | 122 | 122 |
| Base Width Outside | M | 50 | 50 | 50 | 50 1/2 | 50 1/2 | 65 1/2 | 65 1/2 | 65 1/2 | 70 1/2 | 80 | 80 | 87 | 87 | 87 | 87 | 87 | 87 |
| Base Width Inside | N | 42 | 42 | 42 | 42 1/2 | 42 1/2 | 57 1/2 | 57 1/2 | 57 1/2 | 62 1/2 | 70 | 70 | 77 | 77 | 77 | 77 | 77 | 77 |
| HEIGHTS: Overall | O | 81 1/2 | 81 1/2 | 81 1/2 | 89 3/8 | 89 3/8 | 99 1/2 | 99 1/2 | 99 1/2 | 105 1/2 | 116 1/2 | 116 1/2 | 122 1/2 | 132 7/8 | 132 7/8 | 132 7/8 | 140 5/8 | 140 5/8 |
| Base to Stack Outlet | P | 81 1/2 | 81 1/2 | 81 1/2 | 89 | 89 | 99 | 99 | 99 | 105 | 116 | 116 | 122 | 130 | 130 | 130 | 140 | 140 |
| Centerline of Burner | P1 | 34 | 34 | 34 | 35 1/2 | 35 1/2 | 39 | 39 | 39 | 40 | 43 | 43 | 45 | 46 | 46 | 46 | 50 | 50 |
| Centerline of Boiler | P2 | 45 | 45 | 45 | 48 1/2 | 48 1/2 | 53 1/2 | 53 1/2 | 53 1/2 | 56 1/2 | 62 | 62 | 65 | 69 | 69 | 69 | 75 | 75 |
| Water Outlet & Return | P3 | 79 | 79 | 79 | 89 3/8 | 89 3/8 | 99 1/2 | 99 1/2 | 99 1/2 | 105 1/2 | 116 1/2 | 116 1/2 | 122 1/2 | 130 5/8 | 130 5/8 | 130 5/8 | 140 5/8 | 140 5/8 |
| Base To Lagging | Q | 12 | 12 | 12 | 12 | 12 | 12 | 12 | 12 | 12 | 12 | 12 | 12 | 12 | 12 | 12 | 14 | 14 |
| Height Of Runner | R | 6 | 6 | 6 | 6 | 6 | 8 | 8 | 8 | 8 | 12 | 12 | 12 | 12 | 12 | 12 | 12 | 12 |
| CONNECTIONS: | | | | | | | | | | | | | | | | | | |
| Flanged Stack Conn OD | S | 15 7/8 | 15 7/8 | 15 7/8 | 17 7/8 | 17 7/8 | 19 7/8 | 19 7/8 | 23 7/8 | 23 7/8 | 23 7/8 | 25 7/8 | 25 7/8 | 25 7/8 | 25 7/8 | 25 7/8 | 25 7/8 | 25 7/8 |
| Auxiliary Conn.-Right, | | | | | | | | | | | | | | | | | | |
| Left, (2) Top | T | 1 | 1 | 1 | 1 | 1 | 1 | 1 | 1 | 1 | 1 | 1 | 1 | 1 | 1 | 1 | 1 | 1 |
| Blend Pump Conn. | | | | | | | | | | | | | | | | | | |
| Right/Left | U | - | - | - | - | - | 2 | 2 | 2 1/2 | 2 1/2 | 3 | 3 | 3 | 3 | 3 | 3 | 3 | 3 |
| Water Return Nozzle | V1 | 4 | 4 | 4 | 6* | 6* | 6* | 6* | 8* | 8* | 10* | 10* | 10* | 10* | 10* | 12* | 12* | 12* |
| Water Supply Nozzle | V2 | 4 | 4 | 4 | 6* | 6* | 6* | 6* | 8* | 8* | 10* | 10* | 10* | 10* | 10* | 12* | 12* | 12* |
| Vent Conn. | W | 1 1/2 | 1 1/2 | 1 1/2 | 2 | 2 | 2 | 2 | 2 | 2 | 2 | 2 | 2 | 2 | 2 | 2 | 2 | 2 |
| Drain | X | 1 1/2 | 1 1/2 | 1 1/2 | 2 | 2 | 2 | 2 | 2 | 2 | 2 | 2 | 2 | 2 | 2 | 2 | 2 | 2 |
| Low Fire Hold | X1 | 1/2 | 1/2 | 1/2 | 1/2 | 1/2 | 1/2 | 1/2 | 1/2 | 1/2 | 1/2 | 1/2 | 1/2 | 1/2 | 1/2 | 1/2 | 1/2 | 1/2 |
| Aqstat | X2 | 1/2 | 1/2 | 1/2 | 1/2 | 1/2 | 1/2 | 1/2 | 1/2 | 1/2 | 1/2 | 1/2 | 1/2 | 1/2 | 1/2 | 1/2 | 1/2 | 1/2 |
| Aqstat | X3 | 3/4 | 3/4 | 3/4 | 3/4 | 3/4 | 3/4 | 3/4 | 3/4 | 3/4 | 3/4 | 3/4 | 3/4 | 3/4 | 3/4 | 3/4 | 3/4 | 3/4 |
| ACCESS OPENINGS: | | | | | | | | | | | | | | | | | | |
| Handholes 3" x 4" | Y | 5 | 5 | 5 | 5 | 5 | 5 | 5 | 5 | 5 | 5 | 5 | 5 | 5 | 5 | 5 | 5 | 5 |
| Manway 12" x 16" | Z | 1 | 1 | 1 | 1 | 1 | 1 | 1 | 1 | 1 | 1 | 1 | 1 | 1 | 1 | 1 | 1 | 1 |
| MINIMUM CLEARANCES** | | | | | | | | | | | | | | | | | | |
| Tube Removal Front | TF | 90 1/2 | 103 1/2 | 129 1/2 | 114 1/2 | 136 1/2 | 123 1/2 | 154 1/2 | 183 1/2 | 183 1/2 | 168 1/2 | 210 1/2 | 203 | 198 1/2 | 206 1/2 | 220 1/2 | 216 1/2 | 235 1/2 |
| Rear Door Swing Rear | DR | 14 | 14 | 14 | 18 | 18 | 16 | 16 | 16 | 20 | 22 | 22 | 24 | 28 | 28 | 28 | 39 | 39 |

NOTE: * 150 PSIG RF FLANGE

NOTE: All Dimensions Are Approximate And May Be Used For Layout Only.
SUPERIOR BOILER WORKS, Inc Reserves The Right To Change Dimensions Due To Product Revisions Or Job Requirements.
** Check Local, State And Federal Code.